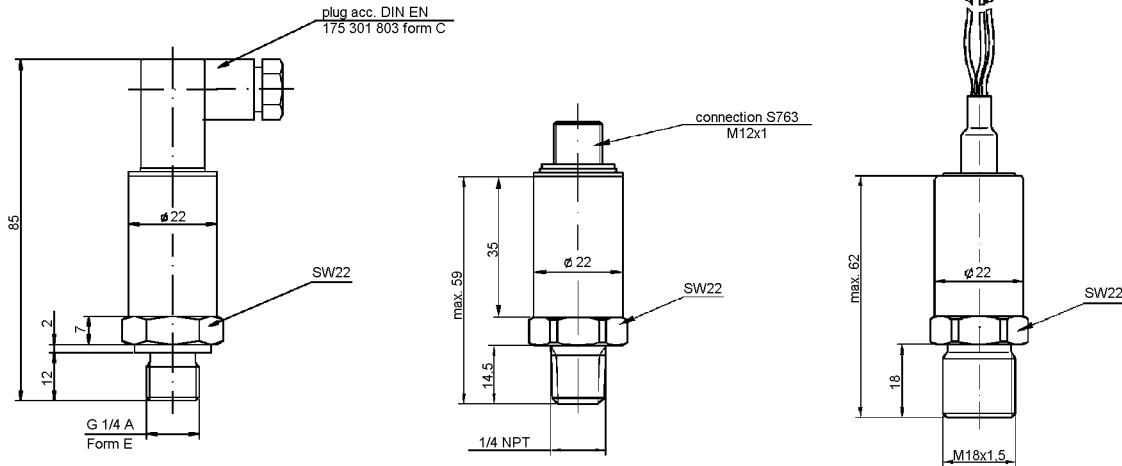
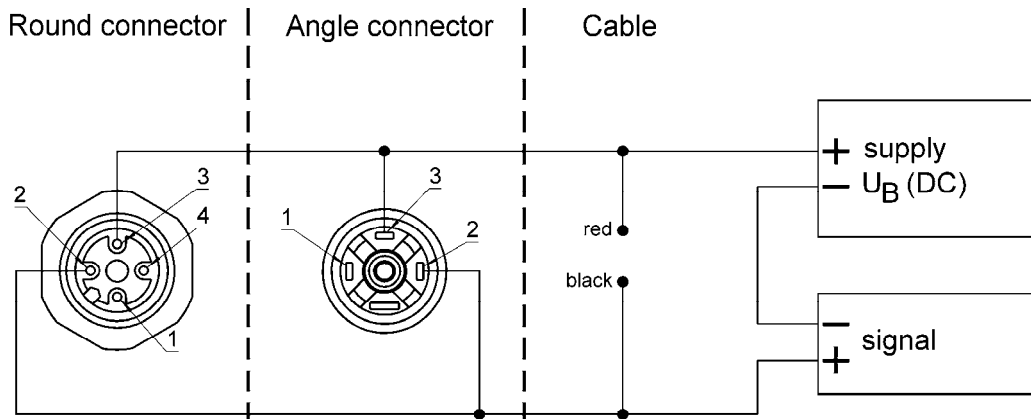




**General dimension [mm]**



**Electrical connection**



**Order information**

Output signal	Accuracy	Range	Engineering unit	Protection	Process connection	Electrical connection	Options
(42) 4/20 mA	(100) 1 %	-1/ 0	BAR	(=) IP65	(MG9) G ¼ B form E male <sup>1)</sup>	(HM) Angle connector according to DIN EN 175301-803	(NH) Tagging wired
(01) 0/10 VDC	(050) 0,5 %	0/ 1,6		(IP68) IP68 (only with cable connection)	(M02) ¼ NPT male <sup>2)</sup>	(M12) Round connector M12	
(15) 1/5 VDC		0/ 4		(ATEXG) Intrinsically safe for gas (only output signal 4/20 mA)	(MM18) M18x1,5 male high pressure connection	(F2) Cable connection Specify cable length in [m]	
(RM) 0,5/4,5 VDC ratiometric to 5 VDC supply		0/ 10 0/ 16 0/ 25 0/ 40 0/ 60 0/ 100 0/ 160 0/ 250 0/ 400 0/ 600 0/ 1000 0/ 1600					
others on request		others on request	psi and others on request		1) max. range 600 bar 2) max. range 1000 bar others on request		

**How to order**

Series	Type	Output signal	Accuracy	Range	Engineering unit	Protection	Process connection	Electrical connection	Option
K	M11	42	050	0/10	BAR	=	MG9	HM	NH