

Bourdon tube pressure gauge Model 212.20, industrial series

WIKA data sheet PM 02.01



for further approvals
see page 2

Applications

- Sturdy industrial pressure gauge designed in compliance with the operational safety requirements of EN 837-1
- Reliable pressure gauge for the machine and plant construction industry as well as building services industry
- For gaseous and liquid media that are not highly viscous or crystallising and will not attack copper alloy parts
- Proven in refrigeration technology

Special features

- Long service life, robust
- Cost-effective and reliable
- To combine with WIKAI diaphragm seals
- German Lloyd and Gosstandart approval
- Scale ranges up to 0 ... 1,000 bar



Bourdon tube pressure gauge model 212.20

Description

Design

EN 837-1

Nominal size in mm

100, 160

Accuracy class

1.0

Scale ranges

0 ... 0.6 to 0 ... 1,000 bar

or all other equivalent vacuum or combined pressure and vacuum ranges

Pressure limitation

Steady: full scale value

Fluctuating: 0.9 x full scale value

Short time: 1.3 x full scale value

Permissible temperature

Ambient: -40 ... +60 °C

Medium: +80 °C maximum

Temperature effect

When the temperature of the measuring system deviates from the reference temperature (+20 °C):

max. ± 0.4 %/10 K of full scale value

Ingress protection

IP 54 per EN 60529 / IEC 60529

Standard version

Process connection

Cu-alloy,
lower mount (LM) or lower back mount (LBM)
G ½ B (male), 22 mm flats

Pressure element

< 100 bar: Cu-alloy, C-type
≥ 100 bar: Stainless steel 316L, helical type

Movement

Cu-alloy, wear parts argentan

Dial

Aluminium, white, black lettering

Pointer

Aluminium, black

Case

Stainless steel

Window

Instrument glass

Bezel ring

Cam ring (bayonet type), stainless steel

Options

- Other process connection
- Sealings (model 910.17, see data sheet AC 09.08)
- NS 100: Liquid filling (model 213.53, data sheet PM 02.12)
- NS 160: Liquid filling (model 233.50, data sheet PM 02.02)
- Increased medium temp. to 100 °C with special soft solder
- Increased medium temperature up to 200 °C (data sheet PM 02.02)
- Panel or surface mounting flange, stainless steel
- Panel mounting flange, polished stainless steel
- Triangular bezel, stainless steel, polished, with clamp
- Pressure gauge with switch contacts, see model PGS21.1x0, data sheet PV 22.01

Special versions

Refrigerant gauges

NS 100: With temperature scale for refrigerants in °C,
Refrigerants: R 744, R 764, R 40, R 22 or R 134a

CE conformity

Pressure equipment directive

97/23/EC, PS > 200 bar, module A, pressure accessory

Approvals

- **GL**, ships, shipbuilding (e.g. offshore), Germany
- **EAC**, import certificate, customs union Russia/Belarus/Kazakhstan
- **GOST**, metrology/measurement technology, Russia
- **CRN**, safety (e.g. electr. safety, overpressure, ...), Canada

Certificates ¹⁾

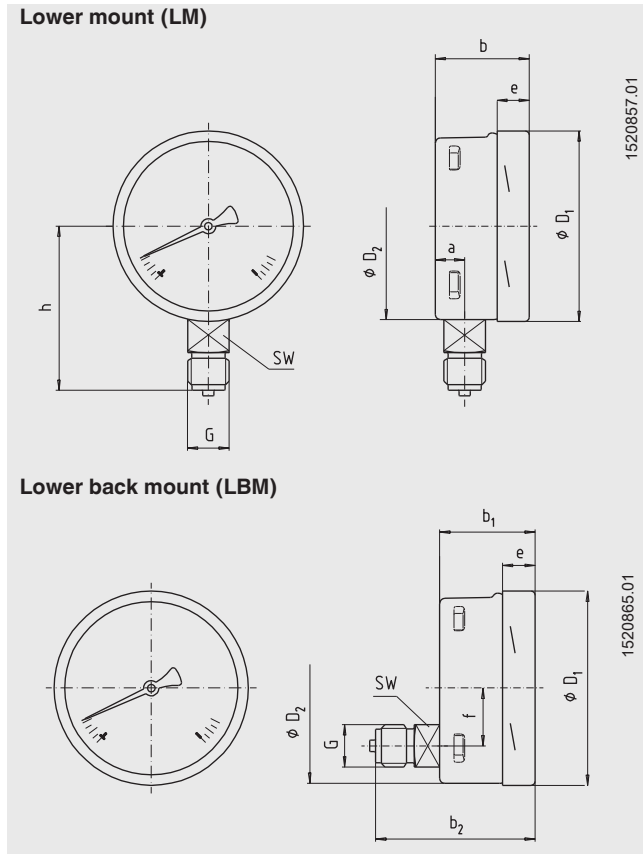
- 2.2 test report per EN 10204 (e.g. state-of-the-art manufacturing, material proof, indication accuracy)
- 3.1 inspection certificate per EN 10204 (e.g. indication accuracy)

¹⁾ Option

Approvals and certificates, see website

Dimensions in mm

Standard version



NS	Dimensions in mm											Weight in kg
	a	b	b ₁	b ₂	D ₁	D ₂	e	f	G	h ±1	SW	
100	15.5	49.5	49.5	83	101	100	17.5	30	G ½ B	87	22	0.60
160	15.5	49.5	49.5 ¹⁾	83 ¹⁾	161	160	17.5	50	G ½ B	118	22	1.10

Process connection per EN 837-1 / 7.3

1) Plus 16 mm with scale ranges ≥ 100 bar

Ordering information

Model / Nominal size / Scale range / Connection size / Connection location / Options

© 2002 WIKA Alexander Wiegand SE & Co. KG, all rights reserved.
 The specifications given in this document represent the state of engineering at the time of publishing.
 We reserve the right to make modifications to the specifications and materials.