

## Bourdon tube pressure gauge Test gauge series, safety version, class 0.6 Models 332.30, 333.30

WIKA data sheet PM 03.05

K

EAC



for further approvals  
see page 2

### Applications

- For gaseous and liquid aggressive media that are not highly viscous or crystallising, also in aggressive ambience
- Precision measurement in laboratories
- High-accuracy pressure measurement, testing of industrial type pressure gauges
- Increased safety requirements for personal protection
- With liquid-filled case for applications with high dynamic pressure loads or vibrations<sup>1)</sup>

### Special features

- Safety pressure gauge with solid baffle wall designed in compliance with operational safety requirements of EN 837-1
- All stainless steel construction
- Knife edge pointer for optimal accuracy of reading
- Wear-resistant precision movement from stainless steel
- Scale ranges up to 0 ... 1,600 bar

### Description

#### Design

EN 837-1

#### Nominal size in mm

160

#### Accuracy class

0.6

#### Scale ranges

0 ... 0.6 to 0 ... 1,600 bar  
or all other equivalent vacuum or combined pressure and vacuum ranges

#### Adjustment medium

≤ 25 bar: Gas  
> 25 bar: Liquid



**Test gauge series, safety version, model 332.30**

#### Pressure limitation

Steady: Full scale value  
Fluctuating: 0.9 x full scale value  
Short time: 1.3 x full scale value

#### Permissible temperature

Ambient: -40 ... +60 °C without liquid filling  
-20 ... +60 °C with glycerine filling<sup>1)</sup>  
Medium: +200 °C maximum without liquid filling  
+100 °C maximum with liquid filling<sup>1)</sup>

#### Temperature effect

When the temperature of the measuring system deviates from the reference temperature (+20 °C):  
max. ±0.4 %/10 K of full scale value

#### Ingress protection

IP65 per IEC/EN 60529

<sup>1)</sup> Model 333.30

## Standard version

### Process connection

Stainless steel 316L  
Lower mount (LM)  
G ½ B (male), 22 mm flats

### Pressure element

Stainless steel 316L  
< 100 bar: C-type  
≥ 100 bar: Helical type  
≥ 1,000 bar: Ni-Fe-alloy, helical type

### Movement

Stainless steel

### Dial

Aluminium, white, black lettering

### Pointer

Knife edge pointer, aluminium, black

### Case

Stainless steel, with solid baffle wall (Solidfront) and blow-out back

### Window

Laminated safety glass

### Bezel ring

Bayonet ring, stainless steel

### Filling liquid (for model 333.30)

Glycerine

## Options

- Other process connection
- Sealings (model 910.17, see data sheet AC 09.08)
- Panel mounting flange, stainless steel
- Surface mounting lugs on the back, stainless steel
- Higher indication accuracy: Class 0.25 per EN 837 or grade 3A per ASME B40.1 for scale ranges ≤ 400 bar
- Mirror band scale
- Zero point adjustable from outside (adjustable dial)
- High-pressure versions from 2,500 bar (model 322.30, data sheet PM 02.09)
- Adjustment medium gas from scale ranges ≥ 25 bar
- Transport case

## EU conformity

### Pressure equipment directive

PS > 200 bar, module A, pressure accessory

## Approvals

- **EAC (option)**, import certificate, customs union Russia/Belarus/Kazakhstan
- **GOST (option)**, metrology/measurement technology, Russia
- **CRN**, safety (e.g. electr. safety, overpressure, ...), Canada

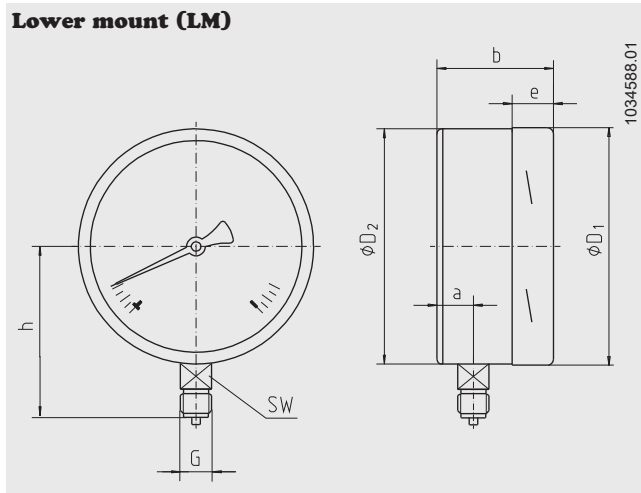
## Certificates (option)

- 2.2 test report per EN 10204 (e.g. state-of-the-art manufacturing, material proof, indication accuracy)
- 3.1 inspection certificate per EN 10204 (e.g. material proof for wetted metallic parts, indication accuracy)
- DKD/DAkkS certified accuracy

Approvals and certificates, see website

## Dimensions in mm

### Standard version



Scale range	Dimensions in mm									Weight in kg	
	a	b	D <sub>1</sub>	D <sub>2</sub>	e	G	h ±1	SW	Model 332.30	Model 333.30	
< 100 bar	27	65	161	159	17,5	G ½ B	118	22	1.30	2.34	
≥ 100 bar	41.5	79	161	159	17.5	G ½ B	118	22	1.50	2.70	

Process connection per EN 837-1 / 7.3

### Ordering information

Model / Nominal size / Scale range / Process Connection / Options

© 06/2006 WIKA Alexander Wiegand SE & Co. KG, all rights reserved.  
The specifications given in this document represent the state of engineering at the time of publishing.  
We reserve the right to make modifications to the specifications and materials.

WIKA data sheet PM 03.05 • 01/2017

Page 3 of 3