

Differential Pressure Gauges with Bourdon Tube, Parallel Entry Model 711.12, Measuring System Cu-alloy Model 731.12, Measuring System Stainless Steel

WIKA Data Sheet PM 07.02

Applications

- Measurement of differential pressures or of two different pressures applied
- Heating, ventilation and air-conditioning
- For gaseous and liquid media that are not highly viscous or crystallising
- Model 731.12 for aggressive media also

Special Features

- Scale ranges from 0 ... 0.6 bar
- Differential pressure with moving dial
- Economical and reliable



Differential Pressure Gauge Model 711.12

Description

Design

2 independent measuring systems, parallel entries in line

Nominal size in mm

100, 160

Accuracy class

1.6

Scale ranges

0 ... 0.6 to 0 ... 1000 bar

Scale range must be selected in relation to the highest total pressure applied!

In heating plants with circulating pumps, the overall pressure is usually defined as equal to the hydrostatic pressure plus the pump pressure.

In order to ensure a good readability, the pressure differential to be indicated should be no less than 1/6 of the full scale range.

When ordering please state both pressures:

a) maximum pressure applied, b) differential pressure

Pressure limitation

Steady: full scale value

Fluctuating: 0.9 x full scale value

Short time: 1.3 x full scale value

Operating temperature

Ambient: -20 ... +60 °C

Medium: Model 711.12: +60 °C maximum (soft soldered)
+100 °C maximum (brazed)

Model 731.12: +200 °C maximum

Temperature effect

When the temperature of the measuring system deviates from the reference temperature (+20 °C):
max. ±0.4 %/10 K of full scale value

Ingress protection

IP 33 per EN 60 529 / IEC 529

Standard version

Process connection

Model 711.12: Cu-alloy
 Model 731.12: stainless steel
 2 x G 1/2 B, male, 22 mm flats,
 plus-connection back, minus-connection front
 (with ⊕ and ⊖ identified)

Pressure elements

Model 711.12:
 < 100 bar: Cu-alloy, C-type, soft soldered
 ≥ 100 bar: stainless steel, helical type, brazed
 Model 731.12:
 Stainless steel, all pressure ranges, welded

Movement

Cu-alloy, wear parts argentan

Dial

Aluminium, white, lettering black

Pointer

1 standard pointer: Aluminium, black
 1 scale pointer: Aluminium, white
 scaled ±50 % of main scale range

Case

Steel, black

Window

Instrument glass

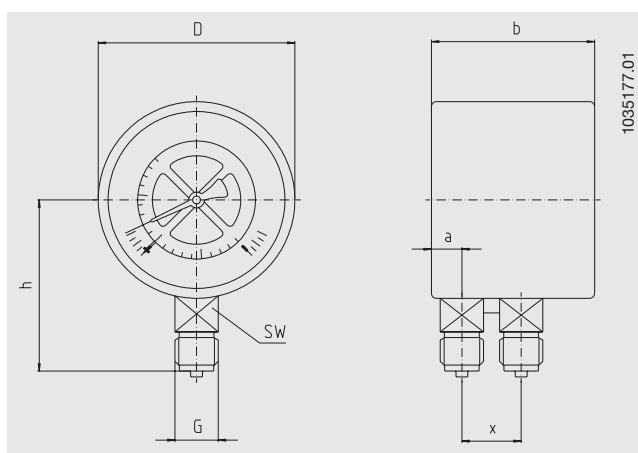
Bezel ring

Slip-on bezel, Steel, black

Options

- Other process connection
- Case and bezel ring of stainless steel
- Design with duplex scale („duplex pressure gauge“)
- NS 100: liquid filling (model 713.12),
- NS 100: measuring system, case, bezel ring stainless steel and liquid filling (model 733.02), medium temperature resistant up to max. 100 °C
- Subtracting movement (one pointer for differential pressure scale), location of reversed pressure connection: ⊕-connection front, ⊖-connection back, Cu-alloy or stainless steel
- Panel or surface mounting flange
- Alarm contact (data sheet AC 08.01), subtracting movement

Dimensions in mm



NS	Dimensions in mm							Weight in kg
	a	b	D	G	h ± 1	X	SW	
100	15.5	82	100	G 1/2 B	87	32	22	1.00
160	15.5	86.5	160	G 1/2 B	118	32	22	1.60

Process connection per EN 837-1 / 7.3

Ordering information

Model / Nominal size / Scale range / Differential or duplex scale / Size of connection / Max. pressure applied / Differential pressure span / Options

Modifications may take place and materials specified may be replaced by others without prior notice. Specifications and dimensions given in this leaflet represent the state of engineering at the time of printing.