

## Differential pressure gauge Eco Model A2G-05

WIKA data sheet PM 07.42



### Applications

- For monitoring the differential pressure of air and other non-inflammable and non-aggressive gases
- Differential pressure monitoring in filters and clean rooms

### Special features

- Simple and quick mounting
- Integrated sealing element for direct installation in an air duct
- Fixed back mount process connection in angular form for pressure measurement hoses of diameter 4 ... 6 mm
- Maintenance-free
- Maximum operating pressure 20 kPa



**Differential pressure gauge Eco, model A2G-05**

### Description

The model A2G-05 Eco differential pressure gauge is used for monitoring the differential pressure in ventilation and air-conditioning applications. The measuring ranges cover from 0 ... 50 Pa to 0 ... 12,500 Pa. Plus/minus ranges can be fulfilled from -25 ... +25 Pa to -1,500 ... +1,500 Pa.

The separated construction of the pressure measurement chamber and display area ensures that impurities from the process air do not settle on the back of the window. As a result of the 2-part construction (measuring element and mounting ring), the A2G-05 can be exceptionally easily and quickly mounted.

The differential pressure gauge is available with ingress protection IP54 and IP65.

In a special version, the A2G-05 is available as a silicone-free product.

## Specifications

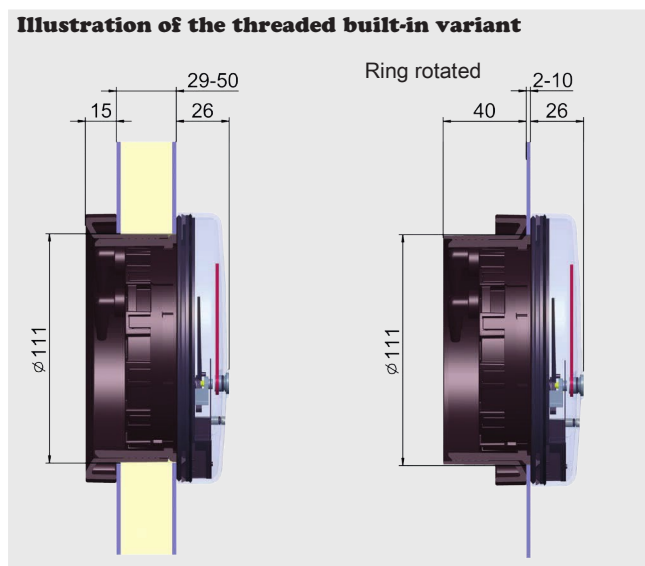
### Differential pressure gauge Eco, model A2G-05

<b>Nominal size</b>	110 mm
<b>Measuring range</b>	0 ... 50 Pa to 0 ... 12,500 Pa, -25 ... +25 Pa to -1,500 ... +1,500 Pa other $\pm$ ranges on request also available in the measuring units kPa, inWC, mmWC and mbar
<b>Accuracy</b>	$\pm 3\%$ ( $\pm 5\%$ with scale range $\leq 0 \dots 125$ Pa)
<b>Process connection</b>	Fixed connection in angular form for hoses with inner diameter 4 or 6 mm
<b>Separating diaphragm</b>	Silicone (EPDM with silicone-free version)
<b>Movement</b>	Contact-free transmission (SWISS MOVEMENT)
<b>Dial</b>	Aluminium
<b>Pointer</b>	Plastic
<b>Window</b>	Polycarbonate (UV stabilised)
<b>Basic case, built-in and add-on case</b>	Plastic, glass-fibre reinforced
<b>Standard accessories</b>	3 mounting screws
<b>Permissible temperatures</b>	<ul style="list-style-type: none"> <li>▪ Ambient temperature -30 ... +80 °C</li> <li>▪ Medium temperature -16 ... +50 °C</li> </ul>
<b>Ingress protection</b>	IP54
<b>Weight</b>	240 g

## Options

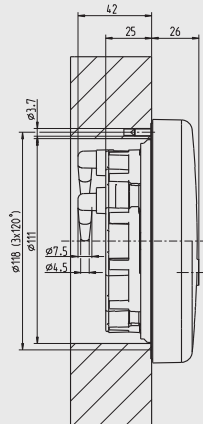
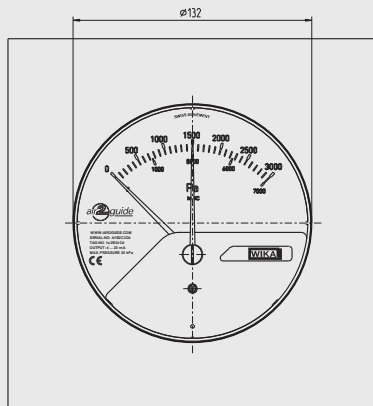
- Ingress protection IP65
- Red mark pointer
- Internationally recognised traceable calibration certificate
- Threaded built-in variant

### Illustration of the threaded built-in variant



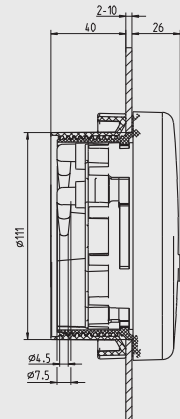
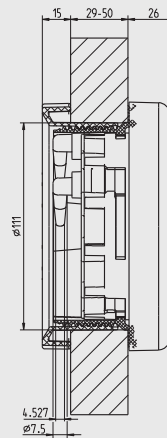
## Dimensions in mm

Standard, back mount



40404848.01

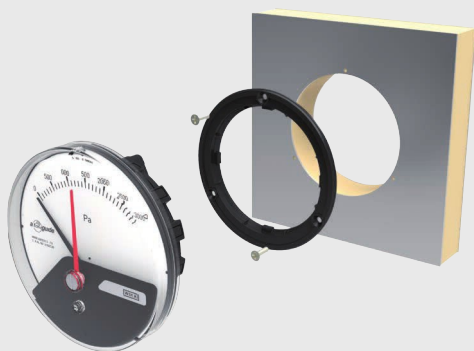
Option, back mount



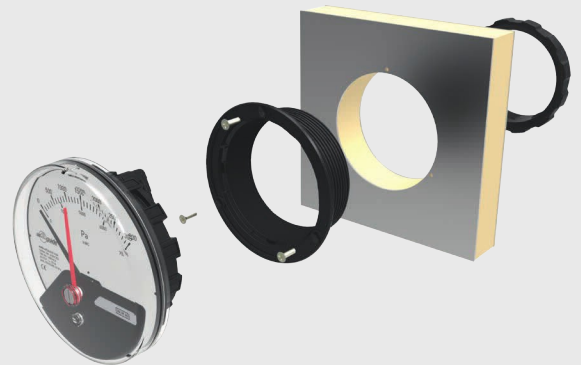
40404850.01

## Built-in version



Standard






Option



## Accessories

Description	Order number
<b>Duct connector for hose 4 and 6 mm</b> 	40217507
<b>Weather protection</b> 	40241564

## Approvals

Logo	Description	Country
	<b>EAC</b> Import certificate	Eurasian Economic Community
	<b>GOST</b> Metrology, measurement technology	Russia
	<b>UkrSEPRO</b> Metrology, measurement technology	Ukraine

For deliveries to CIS countries and Ukraine, a technical passport is required and generated for each specific order.

## Certificates (option)

- 2.2 test report
- 3.1 inspection certificate

Approvals and certificates, see website

## Scope of delivery

- Differential pressure gauge
- Mounting ring

## Ordering information

Model / Scale range / Options

© 04/2012 WIKA Alexander Wiegand SE & Co. KG, all rights reserved.  
The specifications given in this document represent the state of engineering at the time of publishing.  
We reserve the right to make modifications to the specifications and materials.