

Bourdon tube pressure gauge per DIN EN 837-1, NS 63, Type series BA41.../BA44...



Application area

- Water / wastewater
- Shipping
- Machinery construction
- Chemical and petrochemical industry

Technical data

Constructional design / case

Version:	High quality case with bajonet ring per EN 837-1, Material: Stainless steel mat.-no. 1.4301 (304)
alternative:	Safety case with blow-out back and solid baffle wall per EN 837-1 S3, material: stainless steel mat.-no. 1.4301 (304)
Nominal size:	NS 63
Degree of protection per EN 60529:	IP 65
Case filling:	Glycerine-water (optional) Further liquid fillings upon request.

Atmosph. pressure compensation:

In standard case, filled ≤ 10 bar: with rubber filling plug

Standard case, filled, ≤ 10 bar: with ventilation valve
material: stainless steel / PUR

Case seal:

Material gasket: NBR

Window:

Non splintering laminated glass

Measuring element:

Bourdon tube

< 60 bar: c-type
≥ 60 bar: spiral

Movement: Stainless steel segment

Features

- Bourdon tube pressure gauge
- Nominal range -0.6...0 to -1...24 bar, 0...0.6 to 0...1000 bar
- High quality case with bajonet ring NS 63 per EN 837-1
- Case and measuring element of stainless steel
- Degree of protection IP 65
- Accuracy class 1.6 per EN 837-1
- EAC declaration (upon request)

Options

- Approvals/Certificates
 - Certificate of measuring equipment for Russian Federation
 - Calibration certificate as per DIN EN 10204
- Case with liquid filling
- Mounting: Front flange for flush mounting, rear flange for surface mounting
- Safety case per EN 837-1 S3
- Oxygen free of oil and grease

Application

The bourdon tube pressure gauge is suitable for use in various industries. Stainless steel design for measuring gaseous, liquid and aggressive media, designed according to safety standards per EN 837-1.

Scale:	Pure aluminium, white with black inscription Optional with red marking, special scale upon request
Pointer:	Pure aluminium, black
Mounting:	Via process connection. Optional with flange for surface mounting or for flush mounting with DIN mounting flange.
Weights:	Without filling approx. 0.2 kg With filling approx. 0.3 kg

Process connection

Design:	Per EN 837-1. G 1/4 B or 1/4" NPT. Bottom or back centric connection, option: eccentric back connection. Further process connections upon request.
---------	--

Material wetted parts

Measuring element:	Bourdon tube and process connection: stainless steel 316ss
--------------------	--

Nominal range

See order details, further ranges upon request

Overload - protection:	Steady pressure max. scale value short-term 1.3times
------------------------	--

Accuracy

Accuracy class:	1.6 per EN 837-1
Temperature influence:	Max. $\pm 0,4\%$ / 10K of measuring span per EN 837-1

Temperature ranges

	without liquid filling	with liquid filling
Ambient:	-40...60 °C	-20...60 °C
Media:	-20...150 °C	-20...100 °C
Storage:	-20...60 °C	-20...60 °C

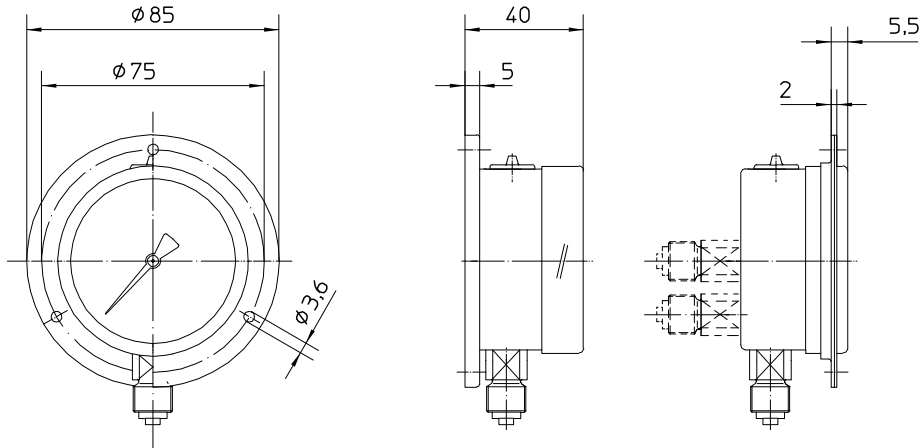
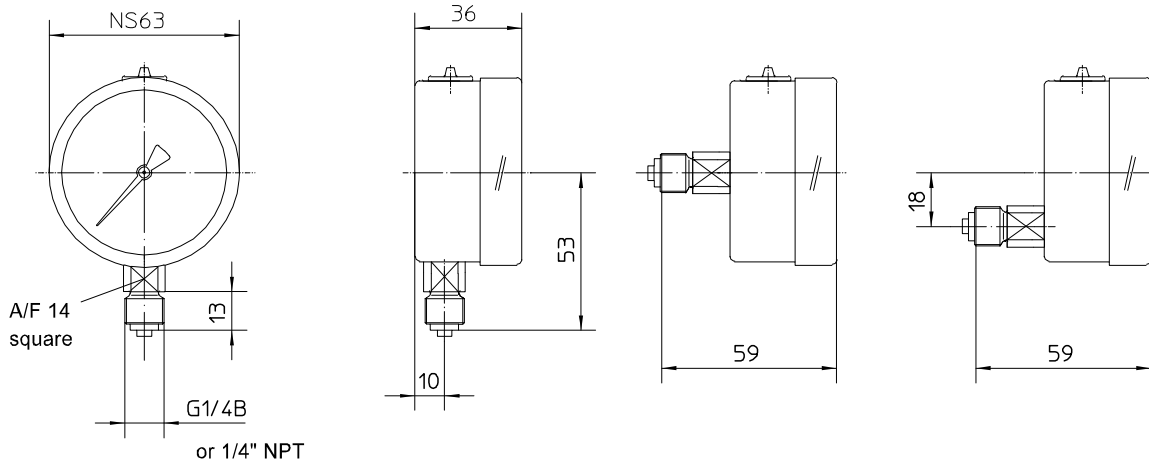
Extended temperature range upon request.

Approvals/Certificates

- EAC declaration (upon request)
- Certificate of measuring equipment for Russian Federation

Information on other models see order details or upon request.

Dimensions



Order details

**Bourdon tube pressure gauge per EN 837-1, NS 63,
Type series BA41../BA44..**

Order details BA41../BA44..				
BA4100	case design NS 63	degree of protection IP 65	process connection bottom	NS 63
BA4400				NS 63 safety design
BA4110			process connection eccentric back	NS 63
BA4410			NS 63 safety design	
BA4170			process connection centre back	NS 63
BA4120		degree of protection IP 65 with case filling	process connection bottom	NS 63
BA4420				NS 63 safety design
BA4130			process connection eccentric back	NS 63
BA4430				NS 63 safety design
BA4180			process connection centre back	NS 63
A...	process connection	G1/4 B		
B...		1/4" NPT		
85	nominal range [bar]	-0.6...0		
86		-1...0		
87		-1...0.6		
88		-1...1.5		
89		-1...3		
90		-1...5		
91		-1...9		
92		-1...15		
93		-1...24		
52		0...0.6		
53		0...1		
54		0...1.6		
55		0...2.5		
56		0...4		
57		0...6		
58		0...10		
59		0...16		
60		0...25		
61		0...40		
62		0...60		
63		0...100		
64		0...160		
65		0...250		
66		0...400		
68		0...600		
70		0...1000		

Additional features (to be indicated if required)		
T2	marking	on scale (please specify)
V2	mounting	rear flange for surface mounting
V3		front flange for flush mounting
V4		front flange with clamp clip for flush mounting ¹
W1204	calibration certificate	per EN 10204-3.1, 3 measuring points
W1201		per EN 10204-3.1, 5 measuring points
W2673	certificate of measuring equipment for Russian Federation	
W4001	Oxygen free of oil and grease	

Order code (example): BA4100 – A56 – T2 – V2 - ...

¹ with process connection at back only