

Bourdon tube pressure gauge per EN 837-1 stainless steel industrial design, NS 100, Type series BA52..



Application area

- Machinery construction
- Chemical and petrochemical industry
- General process technology

Features

- Bourdon tube pressure gauge industrial design
- Nominal ranges -0.6...0 bar to -1...24 bar, 0...0.6 to 0...1000 bar
- High quality case with bajonet ring NS 100 per EN 837-1 S1
- Case and measuring element of stainless steel
- Degree of protection IP 65
- Accuracy class 1.0 as per EN 837-1
- EAC declaration (upon request)

Options

- Approvals/Certificates
 - Certificate of measuring equipment for Russian Federation
 - Calibration certificate as per DIN EN 10204
- Case with liquid filling
- Electrical contact device, see data sheet D3-025 (depending on design)
- Mounting: front flange for flush mounting

Application

The bourdon tube pressure gauge is suitable for use in various industries. High quality stainless steel design for measuring gaseous, liquid and aggressive media. Designed according to safety standards per EN 837-1.

Technical data

Constructional design / case

Design:	High quality case with bajonet ring per EN 837-1 S1, material: stainless steel mat.-no. 1.4301 (304); blow-out device, material: PUR, filling plug, material: PUR
Nominal size:	NS 100
Degree of protection per EN 60529:	<ul style="list-style-type: none"> ■ without filling: IP 65 ■ with filling: IP 65
Case filling:	Glycerine-water (optional) Further liquid fillings upon request.
Atmosph. pressure compensation:	with reclosable ventilation valve
Case seal:	Material gasket: NBR
Window:	Non-splintering laminated glass. Option: Non-splintering plastic (Macrolon)

Measuring element:	Bourdon tube
	< 60 bar: c-type ≥ 60 bar: spiral
Movement:	Stainless steel segment
Scale:	Pure aluminium, white with black inscription Optional with red marking, special scale upon request
Pointer:	Pure aluminium, black
Mounting:	Stand-alone, upon request for flush mounting with DIN mounting flange
Weights:	without filling approx. 0.5 kg with filling approx. 0.8 kg

Process connection

Design: Per EN 837-1, G 1/2 B or 1/2" NPT. Bottom or back centric connection, option: eccentric back connection.
Further process connections upon request.

Material wetted parts

Measuring element: Bourdon tube and pressure connection material stainless steel mat.-no. 1.4571 (316Ti)

Nominal range

See order details, further ranges upon request

Overload - protection: Standard: 1.3times
Optional: Measuring range up to 160 bar: 1.5 times

Accuracy

Accuracy class: 1.0 per EN 837-1

Temperature influence: Max. $\pm 0,4\%$ / 10K of measuring span per EN 837-1

Temperature ranges

	without filling	with filling
Ambient:	-20...60 °C	-20...60 °C
Media:	-20...150 °C	-20...100 °C
Storage:	-40...70 °C	-40...70 °C

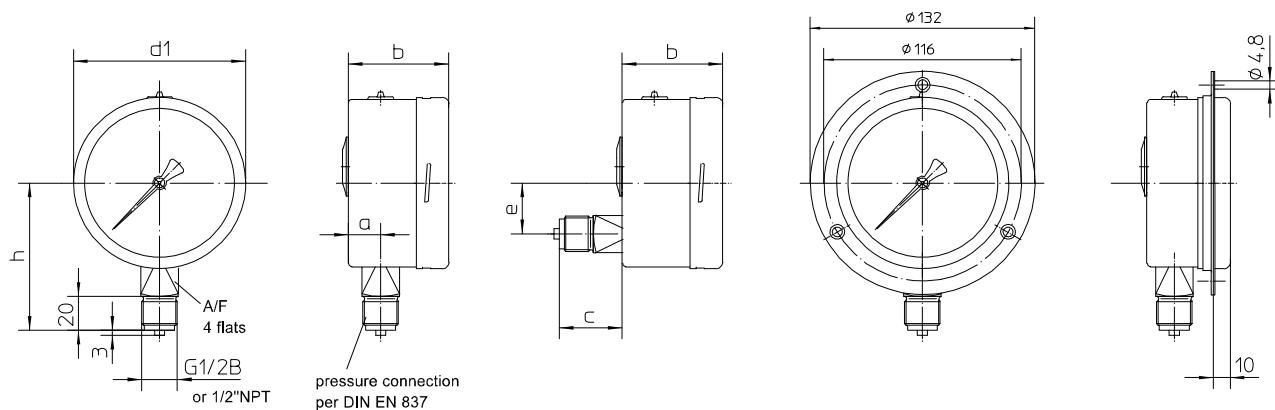
Extended temperature range upon request.

Approvals/Certificates

- EAC declaration (upon request)
- Certificate of measuring equipment for Russian Federation

Information on other models see order details or upon request.

Dimensions



Dimensions (mm)

Case	d1	a	b	e	h	c	A/F
NS 100	101	15.6	49	34.5	86	34	22

Order details

Bourdon tube pressure gauge NS 100 per EN 837-1 stainless steel industrial design, , Type series BA52 . .

Order details BA52...			
BA5200	case design	NS 100, degree of protection IP 65	process connection bottom
BA5210			process connection back
BA5220		NS 100, degree of protection IP 65 with case filling	process connection bottom
BA5230			process connection back
A2...	process connection	G1/2 B	
B2...		1/2" NPT	
085	nominal range	-0.6...0	
086		-1...0	
087		-1...0.6	
088		-1...1.5	
089		-1...3	
090		-1...5	
091		-1...9	
092		-1...15	
093		-1...24	
052		0...0.6	
053		0...1	
054		0...1.6	
055		0...2.5	
056		0...4	
057		0...6	
058		0...10	
059		0...16	
060		0...25	
061		0...40	
062		0...60	
063	0...100		
064	0...160		
065	0...250		
066	0...400		
068	0...600		
070	0...1000		

Additional features (to be indicated if required)		
H4	overload protection	1.5 times
I2	pointer	with micro adjustment
R11	window	Makrolon
R2		non-splintering glass with maximum pointer
R3		non-splintering glass with adjustable reference pointer
R12		Macrolon with maximum pointer
R13		Macrolon with adjustable reference pointer
T2	marking	on scale (please specify)
T3		fast reference pointer (please specify)
U2	system damping	restrictor screw 0.3 mm
U3		restrictor screw 0.6 mm
U4		restrictor screw 1.0 mm
R61	position of process connection	9 o'clock
R62		3 o'clock
R63		12 o'clock
V3	mounting	front flange for flush mounting
W1204	calibration certificate	per EN 10204-3.1, 3 measuring points
W1201		per EN 10204-3.1, 5 measuring points
W2673	certificate of measuring equipment for Russian Federation	

Order code (example): BA5200 – A2057 – ...