

Bourdon tube pressure gauge for diaphragm seals, for diaphragm seal, NS 100, Type series BH42..



Application area

- Machinery construction
- Chemical and petrochemical industry
- General process technology
- Food industry
- Pharmaceutical industry

Technical data

Constructional design / case

Design: High quality case with bayonet ring, material: st. steel mat.-no. 1.4301 (304) ventilation valve, material: PUR

Alternative: High quality case with bayonet ring per EN 837-1 S1, with case filling, blow-out device (material: PUR) and internal pressure compensation diaphragm (material: silicone)

Features

- Bourdon tube pressure gauge for diaphragm seals
- Nominal ranges 0...4 to 0...400 bar, -1...3 bar to -1...15 bar
- High quality case with bayonet ring NS 100 per EN 837-1 S1
- Case and measuring element of stainless steel
- Degree of protection IP 65
- Accuracy class 1.0 as per EN 837-1
- Small temperature error by means of reduced-volume measuring element
- Operating temperature up to 140 °C
- Process connection via diaphragm seal product group D5
- Instrument connection welded with diaphragm seal
- EAC declaration (upon request)

Options

- Approvals/Certificates
 - Explosion protection (ATEX) for mechanical devices
 - Certificate of measuring equipment for Russian Federation
 - Material certificate per EN 10204
 - Calibration certificate per EN 10204
- Damping of movement
- Electrical contact device, see data sheet D3-025 (depending on design)
- Electronical angle-of-rotation sensor, see data sheet D6-020
- Case with liquid filling and degree of protection IP 66

Application

The pressure gauge type series BH42.. has been especially constructed for the operation with diaphragm seals. A custom bourdon tube that is reduced in volume produces a very slight temperature error only. Diaphragm seals with reduced diaphragm surface areas may also be used. A large selection of diaphragm seals – D5 product category – is available for a large variety of applications.

Nominal size: NS 100

Degree of protection per EN 60529:

- Without case filling: IP 65
- With case filling: IP 65
- With case filling and internal pressure compensation diaphragm: IP 66

Case filling: Glycerine-water (optional)
Further liquid fillings upon request.

Atmosph. pressure compensation:	<u>degree of protection IP 65:</u> Standard case, filled, ≤ 10 bar: with ventilation valve > 10 bar filling plug, material: PUR	
	<u>degree of protection IP 66:</u> To atmosphere via internal pressure compensation diaphragm	
Case seal:	Material gasket: NBR	
Window:	Non-splintering laminated glass. Option: Non-splintering plastic (Macrolon)	
Measuring element:	Bourdon tube – c-type	
Movement:	Stainless steel segment Optional: movement with integrated damping system	
Scale:	Pure aluminium, white with black inscription. Option: with red marking, special scale upon request.	
Pointer:	Pure aluminium, black. With micro adjustment for zero point correction.	
Weights:	NS 100 without filling:	approx. 0.7 kg
	NS 100 with filling:	approx. 0.9 kg

Process connection

Design:	Via diaphragm seal technology, see order details and product group D5
---------	---

Nominal range

See order details, further ranges upon request

Overload-protection:	standard: 1.3 times higher overload protection see order details
----------------------	---

Accuracy

Accuracy class:	1.0 per EN 837-1	
Temperature influence:	Max. ± 0,4% / 10K of measuring span per EN 837-1	
Temperature-influence:	Temperature error due to diaphragm seal system.	
	dM 22.6...24 mm	≤ 45 mbar / 10 K
	dM 27...30 mm	≤ 25 mbar / 10 K
	dM 34...36 mm	≤ 8 mbar / 10 K
	dM 40...46 mm	≤ 5 mbar / 10 K
	dM 51...58 mm	≤ 2 mbar / 10 K
	A detailed calculation of accuracy can be submitted upon request. Deviations in case of special materials.	

Temperature ranges

	without filling	with filling
Ambient:	-20...60°C	-20...50°C
Media:	-40...140°C	-20...140°C
Storage:	-40...70°C	-40...70°C

The maximum values can be restricted by the following parameters:

- diaphragm size
- measuring range
- pressure transmission fluid

Extended temperature range upon request.

Approvals/Certificates

Explosion protection:	Ex-protection (ATEX) for mechanical devices ⊗ II 2G c TX ⊗ II 2D c TX
-----------------------	---

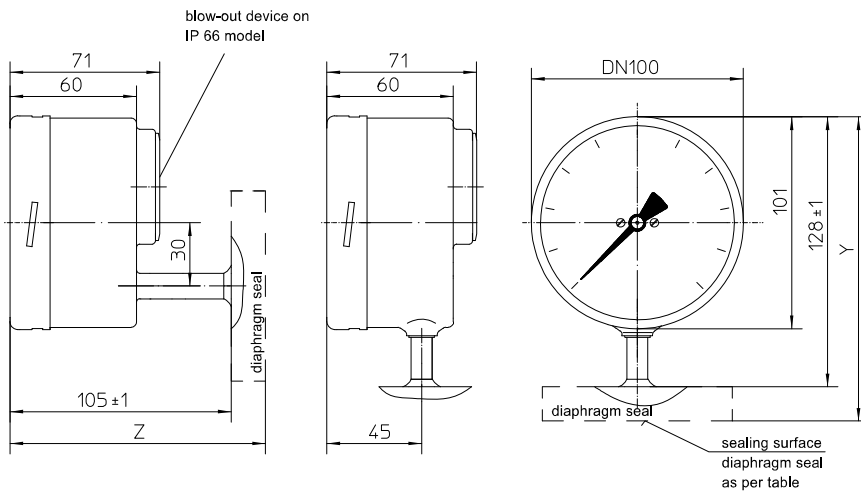
Further details see Ex Safety Instruction XA_005.

- EAC declaration (upon request)
- Certificate of measuring equipment for Russian Federation

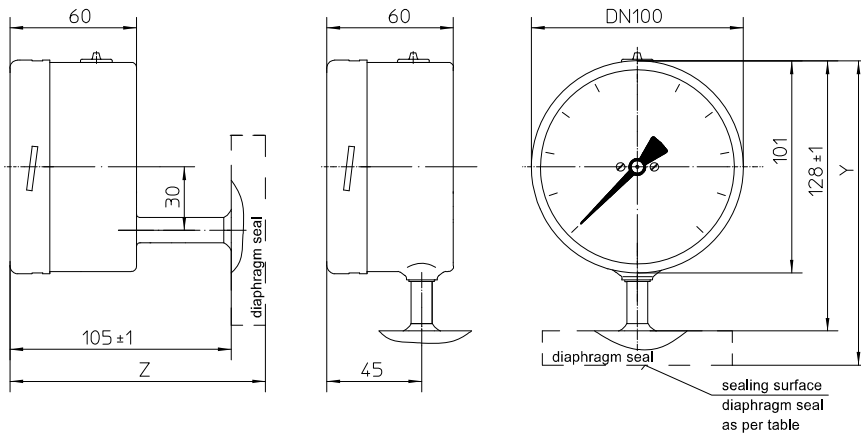
Information on other models see order details or upon request.

Dimensions

degree of protection IP 66





degree of protection IP 65



Order details

Bourdon tube pressure gauge for diaphragm seals NS 100, Type series BH42..

Order details BH42..			
BH4200	case design	IP 65 without case filling	process connection bottom
BH4210			process connection at back
BH4220		IP 65 with case filling	process connection bottom
BH4230			process connection at back
BH4240		IP 66 with case filling	process connection bottom
BH4250			process connection at back
A56	nominal range [bar]	0...4	
A57		0...6	
A58		0...10	
A59		0...16	
A60		0...25	
A61		0...40	
A62		0...60	
A63		0...100	
A64		0...160	
A558		0...200	
A65		0...250	
A66		0...400	
A89		-1...3	
A90		-1...5	
A91		-1...9	
A92	-1...15		
D....	process connection via diaphragm seal technology (see product group D5)		

Additional features (to be indicated if required)			
S30	Ex-protection (ATEX) for mechanical devices ¹	 II 2 G c TX	
		 II 2 D c TX	
H2	overload protection	2 times. Measuring ranges ≥ 25 bar	
H3		2.5 times, measuring ranges ≤ 16 bar	
R2	window	non-splintering glass with maximum pointer	
R3		non-splintering glass with adjustable reference pointer	
R12		Makrolon with maximum pointer ²	
R13		Makrolon with adjustable reference pointer ²	
T2	marking	on scale (please specify)	
T3		fixed reference pointer (please specify)	
W1020	material certificate	per EN 10204-3.1, wetted parts	
W1204	calibration certificate	per EN 10204-3.1, 3 measuring points	
W1201		per EN 10204-3.1, 3 measuring points	
W2673	certificate of measuring equipment for Russian Federation		
W4102	damping of movement ²	with integrated damping system	
PL1100-....	output signal	4...20mA (20...4 mA) with electronic angle-of-rotation sensor (see type PL11..)	

Order code (example): BH4200 – A56 - ...

¹ for devices with non-splintering glass only

² not for devices with Ex-protection