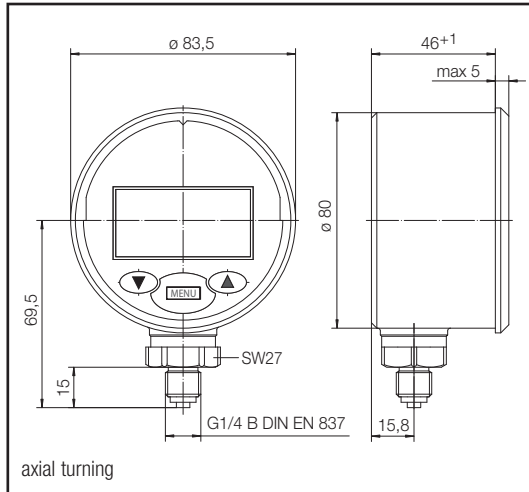


Digital pressure gauge IDM 60



Technical data

- Measuring range: 0 to 60 bar, 0 to 250 bar or 0 to 600 bar
- Accuracy: $\pm 0,5\%$ F.S., ± 1 digit
- Wandlungsrate: 5/s
- 4-digit, 7-segment LCD display, 11 mm height, additional bargraph with 10 segments scale
- Proof pressure, 2.0x, 1000 bar max.
- Units: MPa, PSI and bar
- Pressure peak: min.- and max.-values
- Protection type: IP 65 acc. to EN 60529 / IEC 529
- Housing: stainless steel
- 2 x 1,5 V battery type AA, 4000 h
- Weight: approx. 0,4 kg



Digital Pressure gauge are the best solution to carry out a local network independent pressure measurement.

Accuracy, reliability and mechanical capacity make the digital pressure gauge perfect for carrying out different pressure measurements.

Axial turning of the case for better reading. Simple operation is carried out with a 3 button panel whereby pressure and pressure peaks can also be measured as well as min. and max. values.

Measuring range	Part-number
0-60 bar	9801-99-00.60
0-250 bar	9801-99-02.50
0-600 bar	9801-99-06.00

MINIMESS®-pressure test kit with two digital pressure gauges



1 MPa = 10 bar

Test kit, one digital pressure gauge		Part-number
Measuring range	Identification	3101 - 86 - 0 X.50
0-60 bar	4	
0-250 bar	6	
0-600 bar	9	

Test kit, two digital pressure gauges		Part-number
Measuring range	Identification	3101 - 87 - X X.50
0-60 bar	4	
0-250 bar	6	
0-600 bar	9	