

Differential pressure manometer with pipe measuring spring link in industrial design with copper alloy or stainless steel system

Nominal size 100 and 160 accuracy class 1.6

■ **Particularities allowable static pressure
max. scale value**

Solid performance high reliability and long-term stability over the very good work pointer

■ **Application**

For all gaseous and liquid media pressure, the measurement material is not attacking and not crystallize or highly viscous.

■ **Range of service**

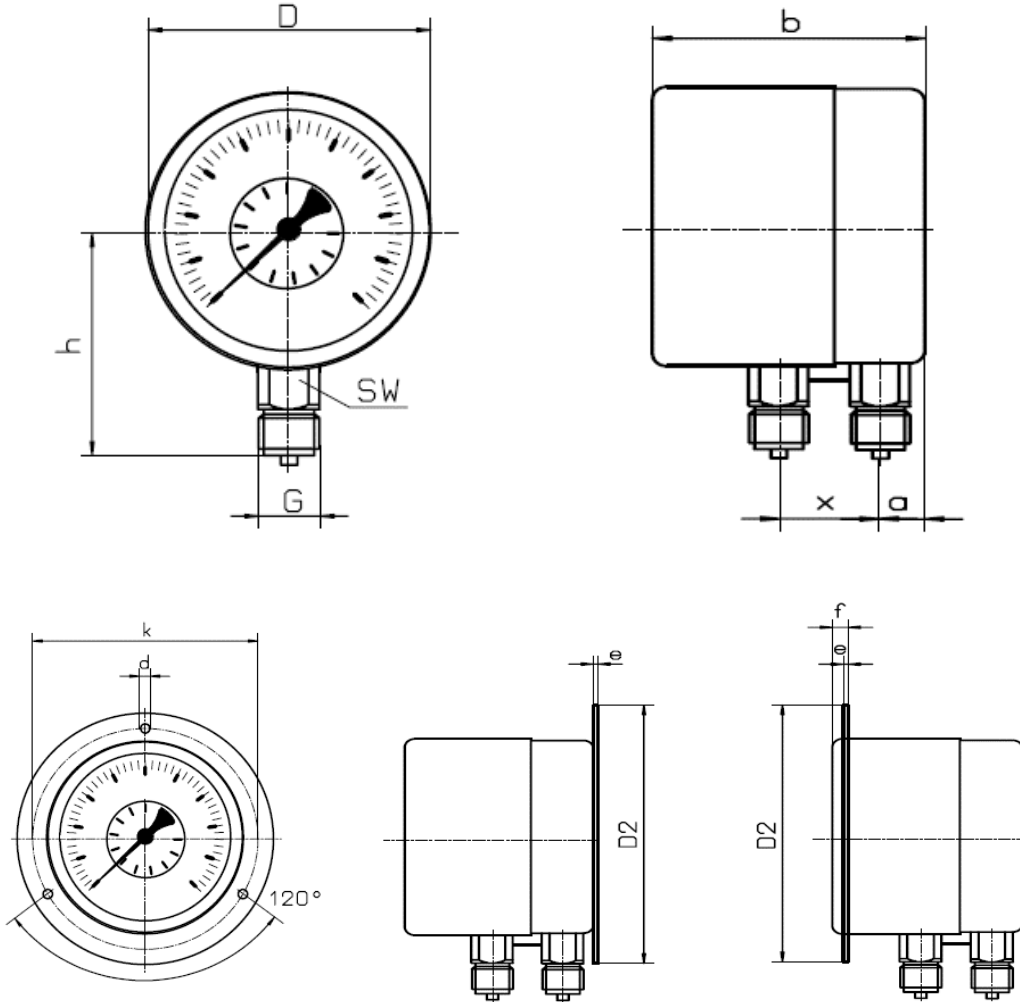
In order to measure the difference between pressing forward and rewind in heating plants. Filter monitoring, plant construction.



Execution	Copper alloy measuring system		Stainless steel measuring system	
Type and Size	IMDR-20 100	IMDR-20 160	IMDR-30 100	IMDR-30 160
Select areas in bar	0...0,6, *) 1, 1,6, 2,5, 4, 6, 10, 16, 25, 40, 60, 100, 160, 250, 400, 600			
Permissible static pressure	Max. scale value!			
Use Area	Weekly load: full scale exchange load: 0.9 x scale, maximum load: 1.3 x scale, only a short time!			
Housing	Steel, black stainless steel option, option filled with glycerine			
Put over ring	Steel, black option bayonet ring of stainless steel			
Window	Instrument flat glass			
Pointer	Aluminum, black, to display the pressure, plus the torque connection to display the pressure of minus port and the differential pressure - at the request without the torque, then pointer with 2			
Pointer plant	Copper alloy and silver			
Measuring link	Copper alloy		Stainless steel	
Pressure connection	SW 22, copper alloy		Stainless steel	
Connecting thread	2 x below G 1 / 2 B			
Protection	IP 33 after EN 60529 / IEC 529			
Temperatures	Medium: -20 ° C to 80 ° C, environment: -25 ° C to 60 ° C			
Weight	1,0 kg	1,6 kg	1,0 kg	1,6 kg

*) At NG 160 is range 0 .. 0.6 bar not available

■ Designs and dimensions



Dimensions in mm

Typ	NG	D	a	b	h	x	D2	e	f	k	d	sw	G
IMDR-20	100	101	21	83	87	32	132	5	4	116	4,8	22	G 1/2 B
IMDR-20	160	101	20	83	118	32	196	6	9	178	5,8	22	G 1/2 B
IMDR-30	100	160	21	83	87	32	132	5	4	116	4,8	22	G 1/2 B
IMDR-30	160	160	20	83	118	32	196	6	9	178	5,8	22	G 1/2 B

■ Type index

Typ	Design	Size	Range	Options
IMDR-	20 or 30	100 or 160	e.g. 10 bar	---
	System = 20 copper alloy system stainless steel 1.4571 = 30	NG housing with housing 100 = 100 NG 160 = 160	Measuring range for keys or directly, e.g. 10 Bar	Special types, e.g. Edge forward