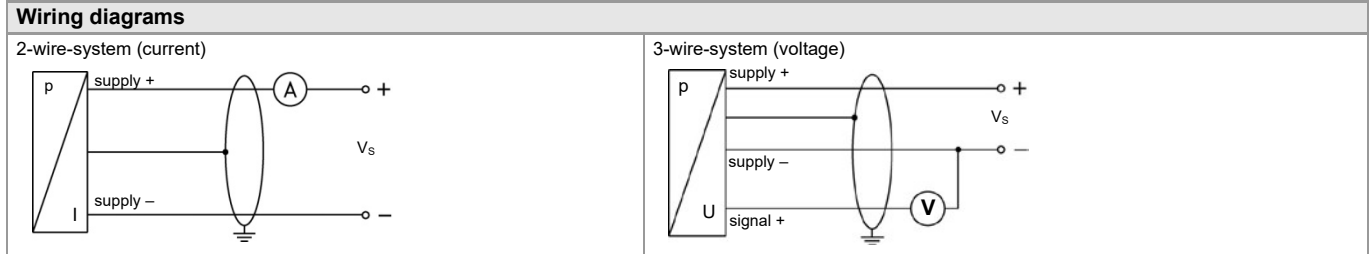


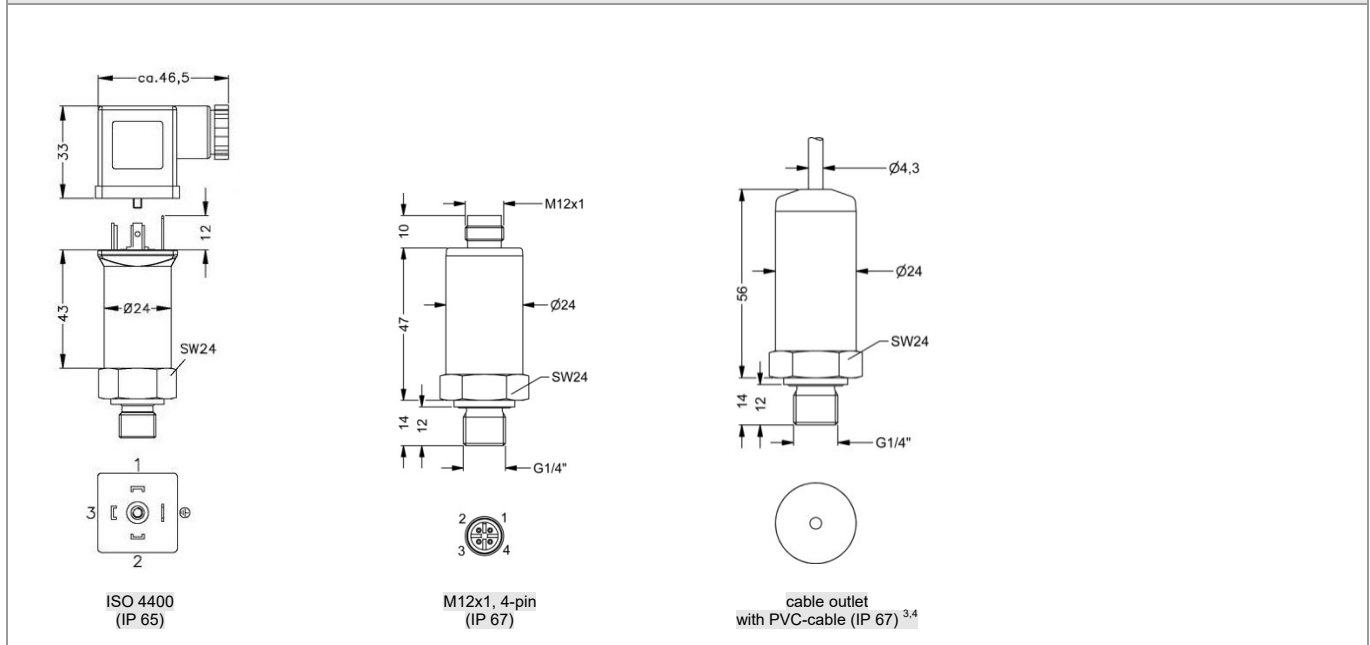
Materials	
Pressure port / housing	stainless steel 1.4301 (304)
Seals	FKM
Diaphragm	stainless steel 1.4435 (316 L)
Media wetted parts	pressure port, seals, diaphragm
Miscellaneous	
Weight	approx. 120 g
Current consumption	2-wire: max. 25 mA 3-wire ratiometric: typ. 1.5 mA 3-wire voltage: max. 7 mA (short circuit current: max. 20 mA)
CE-conformity	EMC Directive: 2014/30/EU



Pin configuration

Electrical connection	ISO 4400	M12x1 (4-pin)	cable colour (IEC 60757)
Supply +	1	1	wh (white)
Supply -	2	2	bn (brown)
Signal + (for 3-wire)	3	3	gn (green)
Shield	ground pin	4	gnye (green-yellow)

Electrical connections (dimensions in mm)



³ standard: 2 m PVC cable without ventilation tube (permissible temperature: -5 ... 70 °C)
⁴ different cable types and lengths available, permissible temperature depends on kind of cable

Mechanical connection (dimensions in mm)

