

Heavy Duty pressure gauges with Bourdon tube and glycerine filling

Nominal size ND 100 ,ND 160
Accuracy class 1.0

according to DIN EN 837-1

Features

- Accuracy class 1.0
- High reliability on a longterm basis
- Stainless steel case
- Overload capacity 1.3 x
- Copper alloy measuring system
- Protection to IP 65

Applications

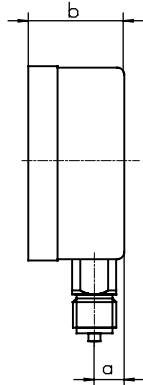
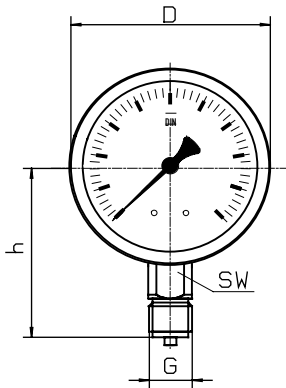
- Hydraulics , compressors,
- power stations,
- water treatment plants,pumps,



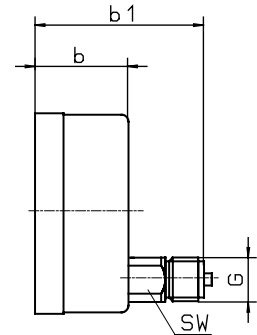
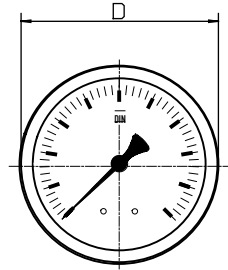
Models and ND	IMR-20 F 100	IMR-25 F 100	IMR-20 F 160	IMR-25 F 160
Connections	bottom	back,eccentric	bottom	back,eccentric
Ranges in bar	0...0,6, 1, 1,6, 2,5, 4, 6, 10, 16, 25, 40, 60, 100, 160, 250, 400, 600, 1.000, 1.600 -0,6 / 0, -1 / 0, -1 / +0,6, -1 / +1,5, -1 / +3, -1 / +5, -1 / +9, -1 / +15, -1 / +24			
Application	Constant load : up to full scale value , >1000 bar 3/4 Alternating load : up to 0,9 x full scale value , > 1000 bar 2/3 Overange protection 1,3 times max. , > 1000 bar full scale value			
Case	CrNi steel			
Bezel	CrNi steel bayonet			
Window	Glass lens			
Dial	Aluminium , white ,scale and imprint black			
Pointer	Aluminium, black			
Movement	CuZn-alloy			
Measuring element	CuZn-alloy up to 40 bar,above 60 bar helical spring stainless steel			
Connection	Copper Alloy up to 1000 bar, > 1000 bar CrNi steel			
Connectionthread	G 1/2 B			
Liquid filling	Glycerine			
Protection	IP 54 to EN 60529 / IEC 529			
Temperature drift	Medium: -20°C bis 80°C, Ambient : -25°C bis 60°C			
Weight	0,6kg		1,0kg	

Dimensions

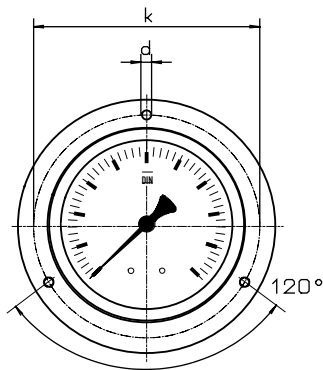
Connection bottom



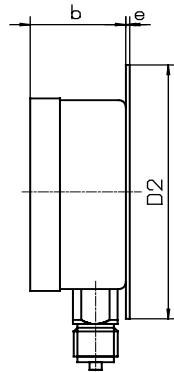
Connection back, eccentric



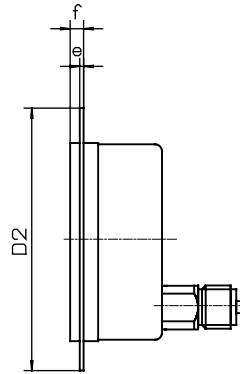
front flange



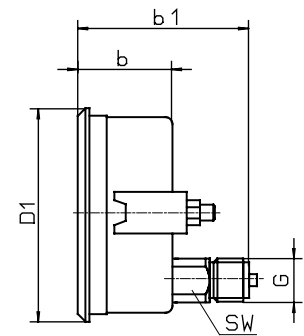
rear flange



front flange



with triangle bezel a. mounting bracket



Dimensions in mm														
Model	NG	D	a	b	b1	h	D1	D2	e	f	k	d	sw	G
IMR-20 F	100	101	15	49	-	86	107	132	2	6	116	5	22	G 1/2 B
IMR-25 F	100	101	-	49	85	-	107	132	2	6	116	5	22	G 1/2 B
IMR-20 F	160	160	15	51	-	118	-	196	3	8	178	5,6	22	G 1/2 B
IMR-25 F	160	160	-	51	86	-	166	196	3	8	178	5,6	22	G 1/2 B

Modelspecification

