

- Dry ceramic sensor
- Ranges from 25 mbar to 60 bar
- Accuracy  $\leq 0,2\%$
- High overload capability
- 2 adjustable switch settings
- Analog output 0(4)...20 mA or 0...10 V



## Differential pressure gauge IPDM 80-2

### Technical data:

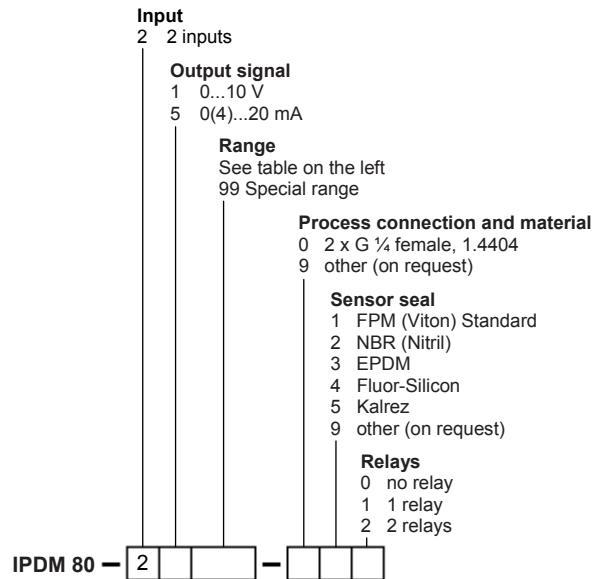
|                      |   |
|----------------------|---|
| Range:               | 0...25 mbar to 0...60 bar,<br>12 bit resolution                                   |
| Display:             | 0... 1999, 14mm red LED   |
| Analog-output:       | 0(4)...20 mA, max. 500 ,<br>switchable, 12 bit resolution,<br>0...10 V, max. 5 mA |
| Relay-output:        | 2 relays, each 1 potential free<br>change-over switch                             |
| Switching load:      | 250V AC, max. 500 VA<br>125V DC, max. 100 W<br>max. switching load 2 A            |
| Accuracy:            | $\leq \pm 0,2\%$ FS @ 25°C  |
| Supply voltage:      | 19...30V DC   |
| Ambient temperature: | 0...60 °C   |
| Fluid temperature:   | -40...100 °C (125 °C < 0,5h)  |
| Thermal drift:       | $\leq \pm 0,02\%$ FS/K  |
| Housing:             | ABS, 100x100x58, IP 65,<br>Colour grey, RAL 7035                                  |
| Sensor:              | ceramic AL <sub>2</sub> O <sub>3</sub>  |

## Ranges

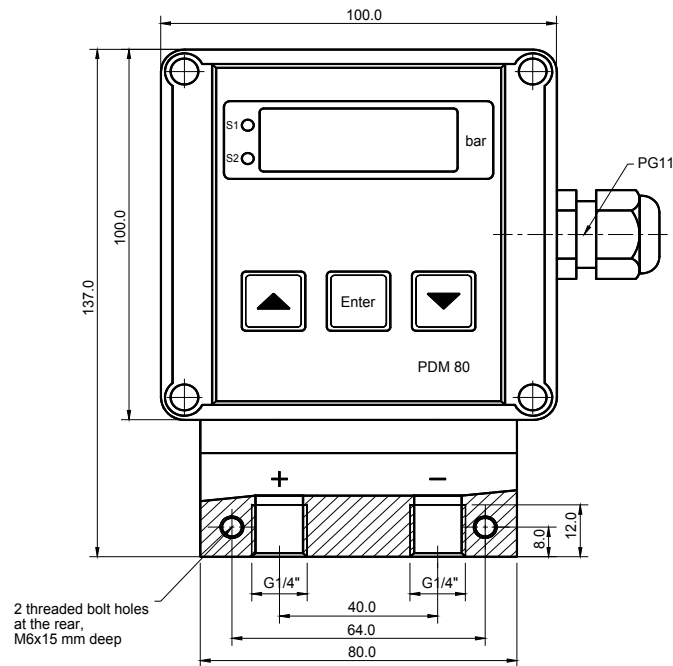
| range        | Code | overload (bar) |
|--------------|------|----------------|
| 0...25 mbar* | A7   | - 0,3 / 4      |
| 0...40 mbar* | A8   | - 0,3 / 4      |
| 0...60 mbar* | A9   | - 0,3 / 4      |
| 0...100 mbar | 00   | - 0,3 / 4      |
| 0...160 mbar | 01   | - 0,6 / 5      |
| 0...200 mbar | B1   | - 1 / 6        |
| 0...250 mbar | 02   | - 1 / 6        |
| 0...0,4 bar  | 03   | - 1 / 6        |
| 0...0,6 bar  | 04   | - 1 / 10       |
| 0...1 bar    | 05   | - 1 / 10       |
| 0...1,6 bar  | 06   | - 1 / 18       |
| 0...2 bar    | B3   | - 1 / 18       |
| 0...2,5 bar  | 07   | - 1 / 18       |
| 0...4 bar    | 08   | - 1 / 25       |
| 0...6 bar    | 09   | - 1 / 40       |
| 0...10 bar   | 10   | - 1 / 40       |
| 0...16 bar   | 11   | - 1 / 40       |
| 0...20 bar   | B5   | - 1 / 40       |
| 0...25 bar   | 12   | - 1 / 40       |
| 0...40 bar   | 13   | - 1 / 60       |
| 0...60 bar   | 14   | - 1 / 100      |

\* Global error 0,5% F.S.

## Ordering type



## Dimensions (mm)



## Electrical connections

