

- 3-digit 14 mm LED digital contact gauge
- 80 mm stainless steel case turnable 330°
- Min./max. memory
- Ranges from 25 mbar to 40 bar
- Dry ceramic sensor
- Analog output: 0(4)...20 mA, 0...10 V
- 2 DC PNP contact setpoints, max. 200 mA
- Available with all standard process connections



Digital contact gauge IPM 82-3

Technical data:

| | |
|--------------------------|--|
| Range: | 0...25 mbar to 0...40 bar |
| Analog output: | 0(4)...20 mA, 0...10 V |
| Contact output : | DC PNP, max. 200 mA |
| Accuracy: | $\leq \pm 0.5\%$ FS @ 25°C |
| Response time: | 200 ms |
| Power supply: | 10...30V DC, 20 mA output 16...30V DC, 10 V output |
| Ambient temperature: | -25...80 °C |
| Process temperature: | -25...100 °C |
| Temperature coefficient: | $\leq \pm 0.03\%$ FS/K (zero) $\leq \pm 0.02\%$ FS/K (span) |
| Long term stability: | $\leq \pm 0.5\%$ FS p. a. |
| Bayonet lock case: | 1.4301 (304) IP 67 |
| Process connection: | see table, 1.4404 (316L) |
| Sensor: | ceramic AL ₂ O ₃ |
| Electrical connection: | M12x1 5-pin connector |

Ranges

| range | gauge | overload (bar) |
|-----------------|-------|----------------|
| 0...25 mbar | A7 | - 0.3 / 4 |
| 0...40 mbar | A8 | - 0.3 / 4 |
| 0...50 mbar | B0 | - 0.3 / 4 |
| 0...60 mbar | A9 | - 0.3 / 4 |
| 0...100 mbar | 00 | - 0.3 / 4 |
| 0...160 mbar | 01 | - 0.5 / 6 |
| 0...200 mbar | B1 | - 0.5 / 6 |
| 0...250 mbar | 02 | - 0.5 / 6 |
| 0...400 mbar | 03 | - 1 / 6 |
| 0...500 mbar | B7 | - 1 / 6 |
| 0...600 mbar | 04 | - 1 / 10 |
| 0...1 bar | 05 | - 1 / 10 |
| 0...1.6 bar | 06 | - 1 / 15 |
| 0...2 bar | B3 | - 1 / 15 |
| 0...2.5 bar | 07 | - 1 / 15 |
| 0...4 bar | 08 | - 1 / 25 |
| 0...5 bar | F1 | - 1 / 25 |
| 0...6 bar | 09 | - 1 / 40 |
| 0...10 bar | 10 | - 1 / 40 |
| 0...16 bar | 11 | - 1 / 40 |
| 0...20 bar | B5 | - 1 / 40 |
| 0...25 bar | 12 | - 1 / 40 |
| 0...40 bar | 13 | - 1 / 60 |
| 0...50 bar | F3 | - 1 / 100 |
| 0...60 bar | 14 | - 1 / 100 |
| -20...20 mbar | C2 | - 0.3 / 4 |
| -100...100 mbar | C5 | - 0.5 / 6 |
| -200...200 mbar | D3 | - 1 / 6 |
| -1...1 bar | D6 | - 1 / 15 |
| -1...1.5 bar | D7 | - 1 / 15 |
| -1...3 bar | D8 | - 1 / 25 |
| -1...5 bar | D9 | - 1 / 40 |
| -1...9 bar | E1 | - 1 / 40 |
| -1...15 bar | E2 | - 1 / 40 |
| -1...19 bar | E3 | - 1 / 40 |
| -1...20 bar | E8 | - 1 / 40 |

Ordering Code

Analog output Signal

- 0...10V 3-wire
- 0...20 mA 3-wire
- 4...20 mA 3-wire (signal range 3.8...20.5 mA)

Contact output

- 2 contacts

Ranges

- See table
99 non standard range

Process connection and material

- F G 1" DIN 3852 1.4404
- Z G 1 1/4" DIN 3852 1.4404
- 5 G 1 1/2" DIN 3852 1.4404
- U Flange DN 25 / PN 10-40 1.4404
- A Flange DN 40 / PN 10-40 1.4404
- B Flange DN 50 / PN 10-40 1.4404
- 9 Sonderausführung

Sensor seal

- FPM (Viton) standard
- NBR (Nitril)
- EPDM
- Fluor-Silicon
- Chemraz 505
- other on request

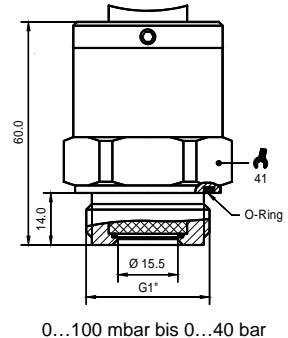
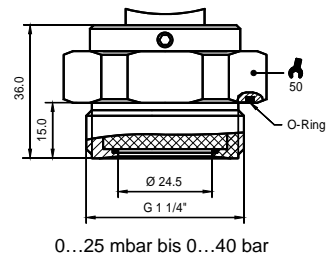
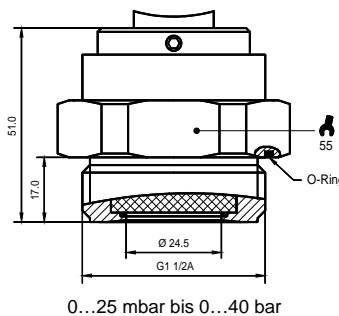
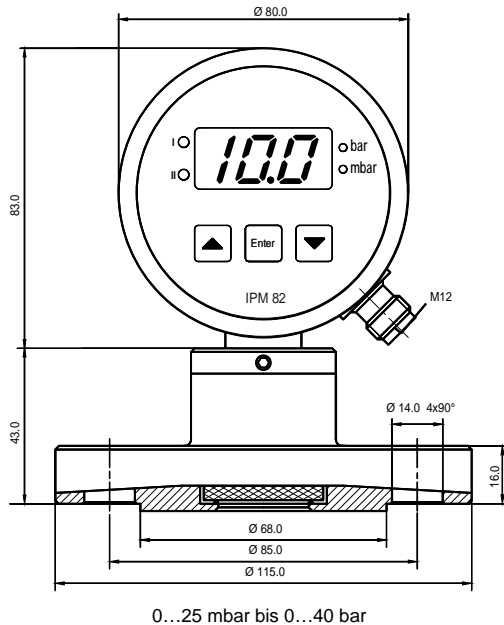
Options

- Display 3 digits
- Display reduced to 2 digits

IPM82-3-



Dimensions (mm)



Electrical connections

Connector M12x1 5-pin

