

- 3-digit 14 mm LED contact gauge
- 80 mm stainless steel case
- Min./max. memory
- Ranges from -25 mbar to 60 bar
- Dry ceramic sensor
- Analog output: 0(4)...20 mA, 0...10 V
- 2 DC PNP contact setpoints, max. 200 mA
- Available with all standard process connections



Digital contact gauge IPM 82-4

Technical data:

Range:	-25...25 mbar to -1...60 bar
Analog output:	0(4)...20 mA, 0...10 V
Contact output:	DC PNP, max. 200 mA
Accuracy:	$\leq \pm 0.5\%$ FS @ 25°C
Response time :	200 ms
Power supply:	10...30V DC, 20 mA output 16...30V DC, 10 V output
Ambient temperature:	-25...80 °C
Process temperature:	-25...100 °C
Temperature coefficient:	$\leq \pm 0.03\%$ FS/K (zero) $\leq \pm 0.02\%$ FS/K (span)
Long term stability:	$\leq \pm 0.5\%$ FS p. a.
Bayonet lock case:	1.4301 (304) IP 67
Process connection:	see table
Sensor:	ceramic AL ₂ O ₃
Electrical connection:	M12x1, 5 pin connector

Ranges

Range	Gaug	Overload (bar)	Burst pressure (bar)
-25...25 mbar ⁽¹⁾	E6	-0,3/4	
0...25 mbar ⁽¹⁾	A7	-0,3/4	
0...40 mbar ⁽¹⁾	A8	-0,3/4	
0...50 mbar	B0	-0,3/4	
0...60 mbar	A9	-0,3/4	
0...100 mbar	00	-0,3/4	
0...160 mbar	01	-0,5/6	
0...200 mbar	B1	-0,5/6	
0...250 mbar	02	-0,5/6	
0...400 mbar	03	-1/6	
0...500 mbar	B7	-1/6	
0...600 mbar	B7	-1/10	
0...1 bar	05	-1/10	
0...1,6 bar	06	-1/15	
0...2 bar	B3	-1/15	
0...2,5 bar	07	-1/15	
0...4 bar	08	-1/25	
0...5 bar	F1	-1/25	
0...6 bar	09	-1/40	
0...10 bar	10	-1/40	
0...10 bar ⁽²⁾	HD	-1/105	175
0...16 bar	11	-1/40	
0...16 bar ⁽²⁾	H1	-1/105	175
0...20 bar	B5	-1/40	
0...20 bar ⁽²⁾	H2	-1/105	175
0...25 bar	12	-1/40	
0...40 bar	13	-1/60	
0...60 bar ⁽²⁾	14	-1/210	350
-100...0 mbar	C4	-1/2	
-100...100 mbar	C5	-1/2	
-400...0 mbar	F7	-1/2	
-1...0 bar	D4	-1/15	
-1...1 bar	D6	-1/15	
-1...1,5 bar	D7	-1/15	
-1...3 bar	D8	-1/25	
-1...5 bar	D9	-1/40	
-1...9 bar	E1	-1/40	
-1...15 bar	E2	-1/40	
-1...19 bar	E3	-1/40	
-1...20 bar	E8	-1/40	
-1...25 bar ⁽²⁾	E7	-1/105	175
-1...40 bar ⁽²⁾	F9	-1/105	175
-1...60 bar ⁽²⁾	G1	-1/210	350

Ordering Code

Analog output signal

- 0 without
- 1 0...10V 3-wire
- 2 0...20 mA 3-wire
- 3 4...20 mA 3-wire (signal range 3,8...20,5 mA)

Contact Output

- 1 single
- 2 double

Ranges

see table
99 non standard range (on request)

Process connection and material

- 2 ½ - 14 NPT, 1.4404
- 3 G ½ B DIN 16288 1.4404
- BC BioConnect® DN 25 1.4404
- M Dairy thread DN 25 DIN 11851 1.4404
- 6 Dairy thread DN 32 DIN 11851 1.4404
- 7 Dairy thread DN 40 DIN 11851 1.4404
- K Dairy thread DN 40 aseptisch 1.4404
- N DRD flange DN 65 1.4404
- J Varivent DN 68 1.4404
- L Clamp 1", DN 25...40, 1.4404
- W Clamp 2", DN 50, 1.4404
- 9 others on request

Sensor seal

- 1 FPM (Viton) standard
- 2 NBR (Nitril)
- 3 EPDM-Rubber
- 4 Fluor-Silikon-Rubber
- 5 Chemraz 505
- 9 others on request

Optionen

- 0 Display 3 digits
- 1 Display reduced to 2 digits

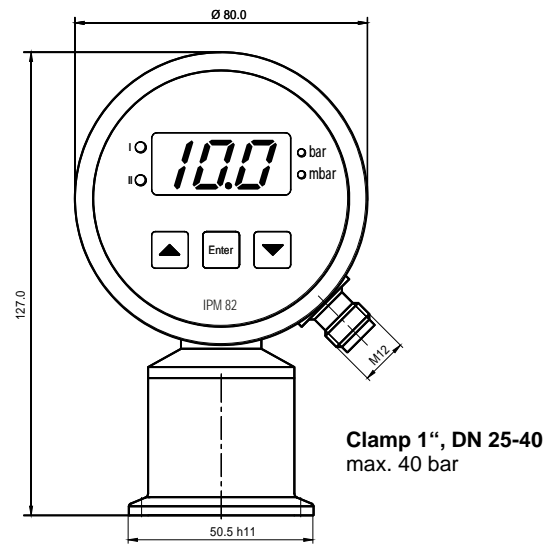
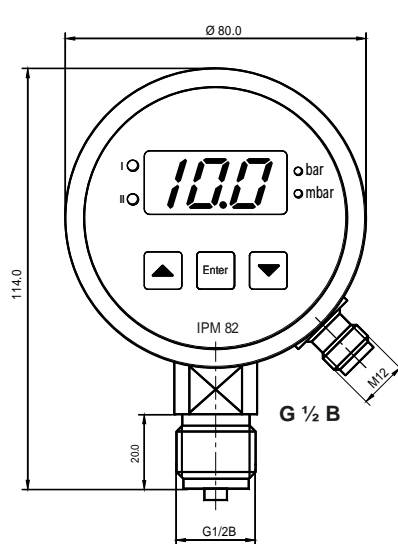


BioConnect® is a registered word mark of NEUMO GmbH+Co.KG,D-75438 Knittlingen

⁽¹⁾ **Not** with process connection BC/J

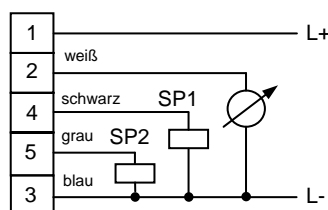
⁽²⁾ **Only** with process connection 2/3/BC/J

Dimensions (mm)



Electrical connections

Connector M12x1 5-pin



Modifications reserved without notice 02.16